

Service Trolleys Plate and Rack Trolley

ITEM # _____

MODEL # _____

NAME # _____

SIS # _____

AIA # _____



361296 (MDNT4B3S)

Plate and Basket
(500x500mm) Trolley

Short Form Specification

Item No. _____

Constructed in 304 AISI stainless steel. Framework in mm25 tubing, completely welded. Seamless base, upper and back shelves with upturned edges, welded to the framework. One side has three inclined shelves to accommodate stacked plates; the other side has L-shaped runners to accommodate n. 4 dishwashing baskets mm500x500. The handles are an extension of the load-bearing frame. N. 4 swivelling castors, two with brakes, mm125 in diameter, fitted with plastic bumpers.

Main Features

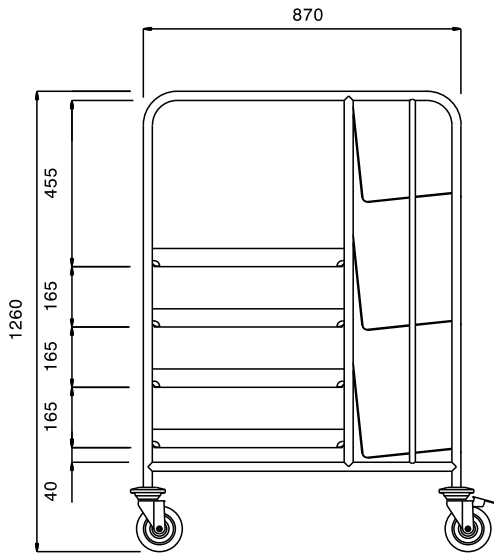
- Framework in 25 mm tubing, completely welded.
- Equipped with L-shaped runners.
- Seamless base, upper and back shelves with upturn edges welded to the framework.
- Accommodates 4 dishwashing baskets 500x500 mm.
- One side to have three inclined shelves to accommodate stacked plates.
- 4 pivoting Ø 125 mm wheels, 2 of which with brakes, fitted with plastic bumpers

Construction

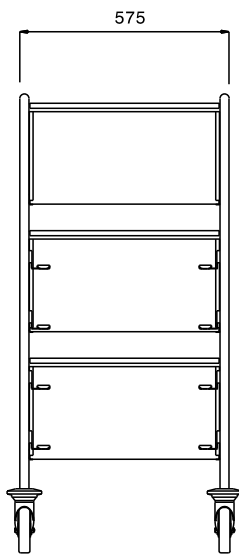
- Constructed entirely in 304 AISI stainless steel.

APPROVAL: _____

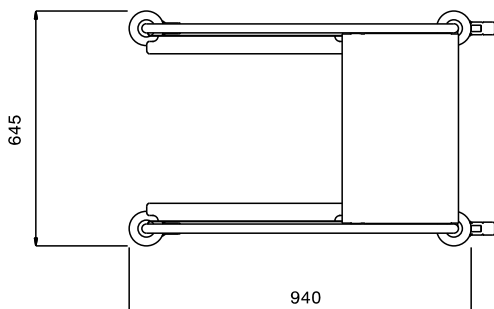
Front



Side



Top



Key Information:

| | |
|------------------------------|-------------|
| External dimensions, Width: | 645 mm |
| 361296 (MDNT4B3S) | |
| External dimensions, Depth: | 940 mm |
| External dimensions, Height: | 1260 mm |
| Wheel material: | Zinc plated |
| Wheel diameter: | Ø 125 |
| Net weight: | 22 kg |